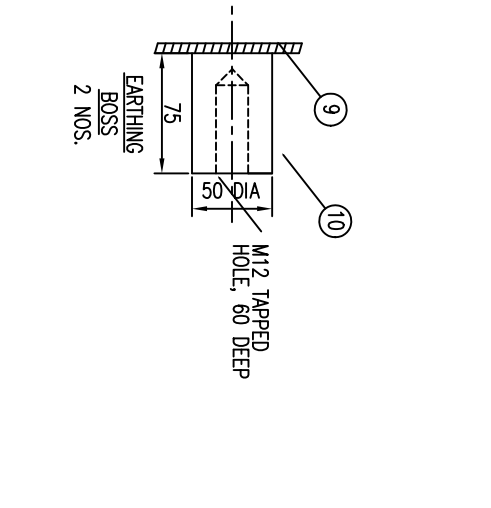
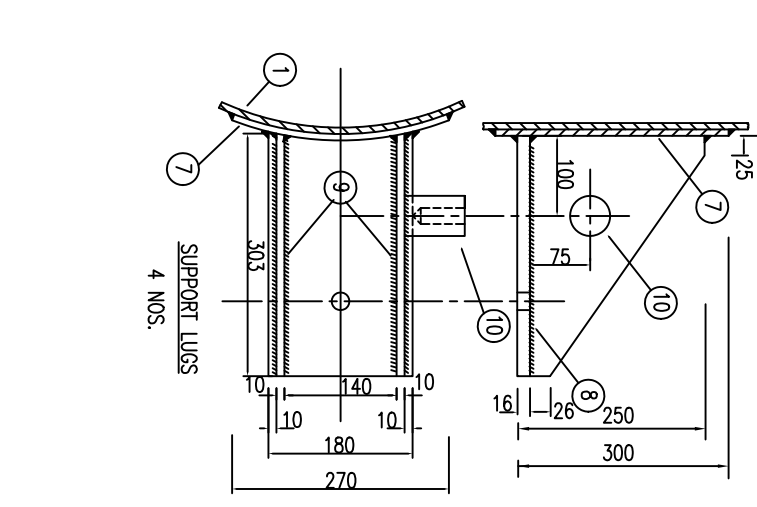
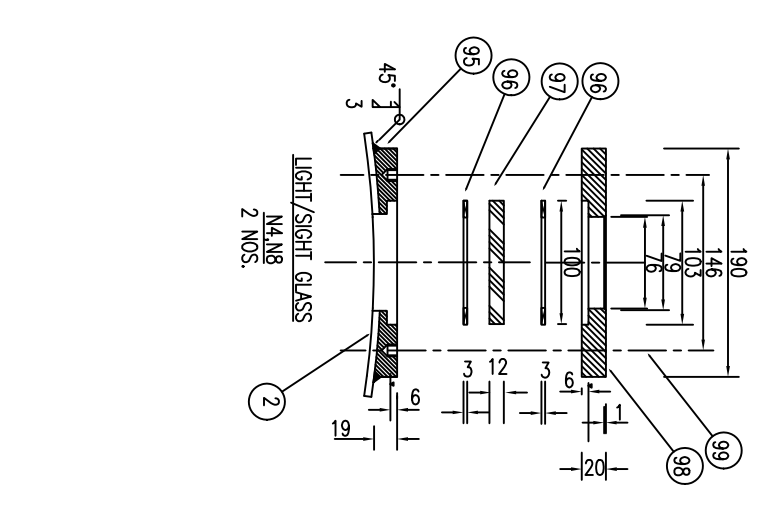
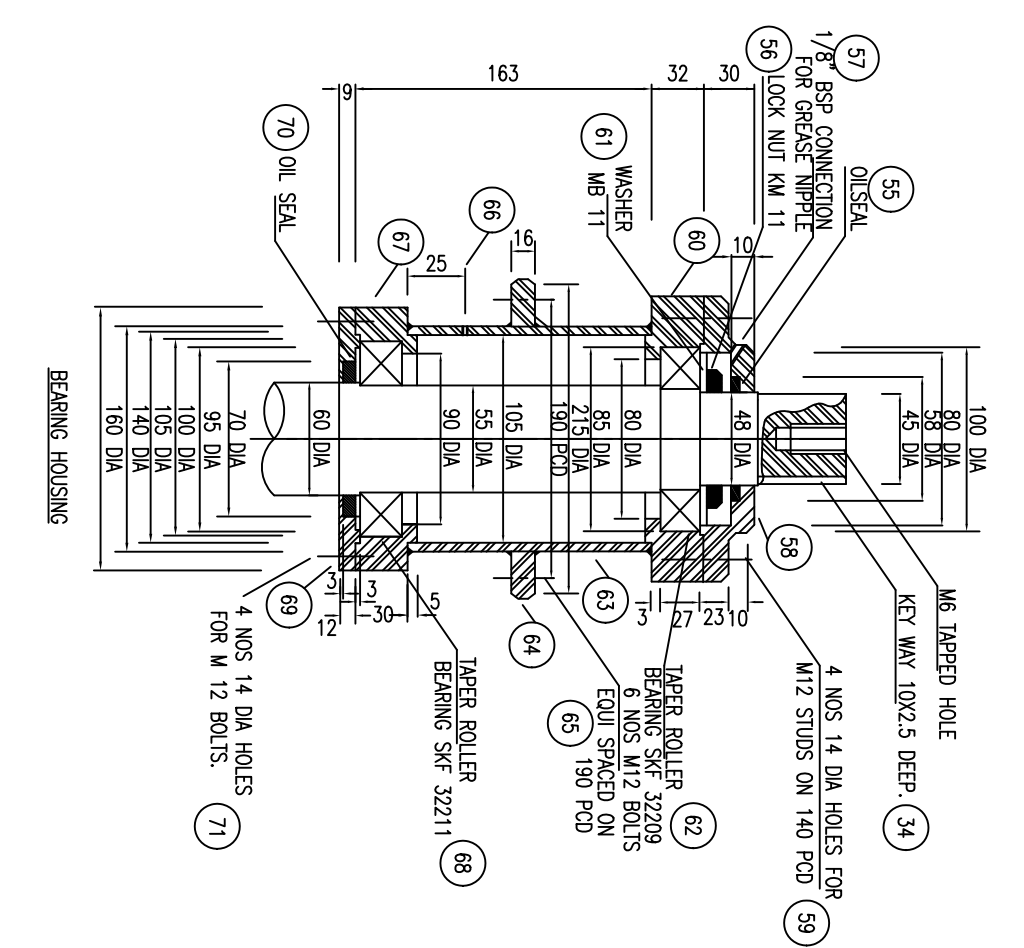
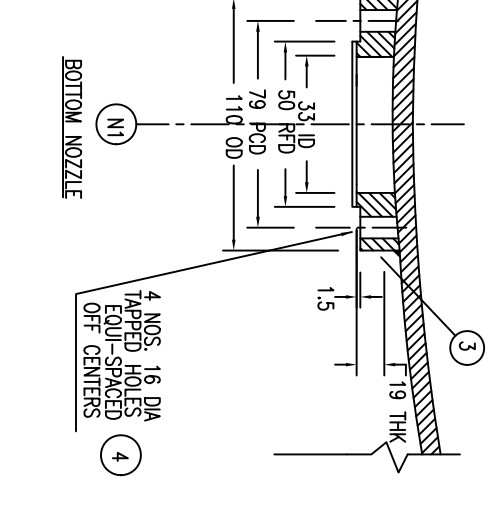
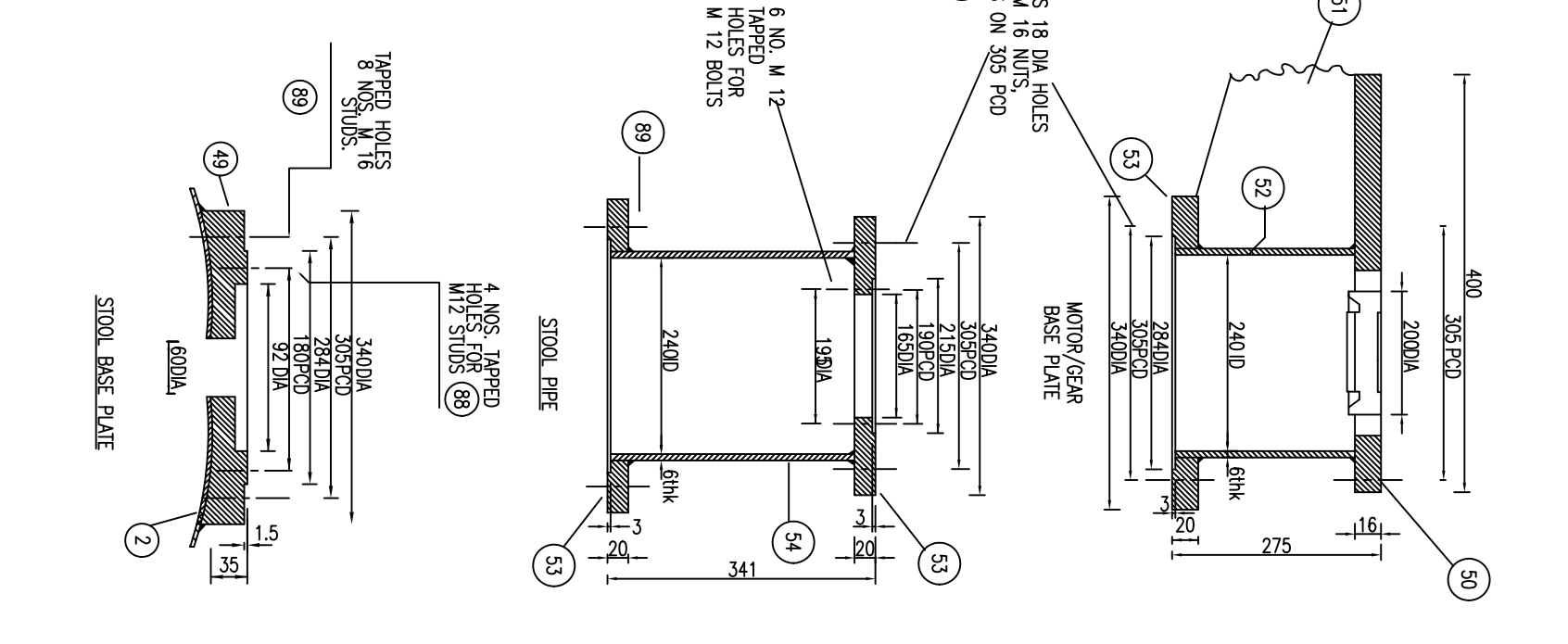
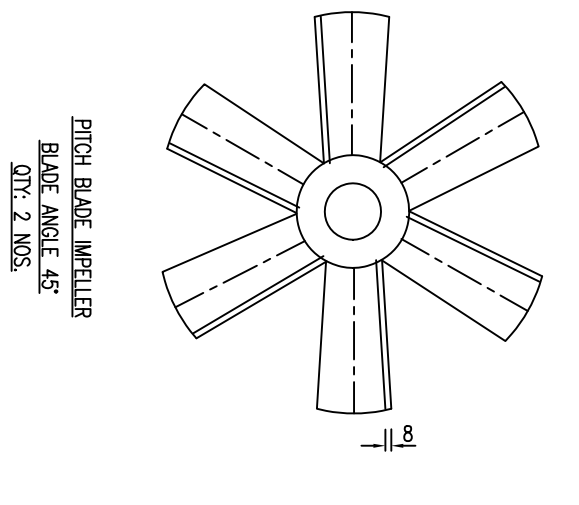
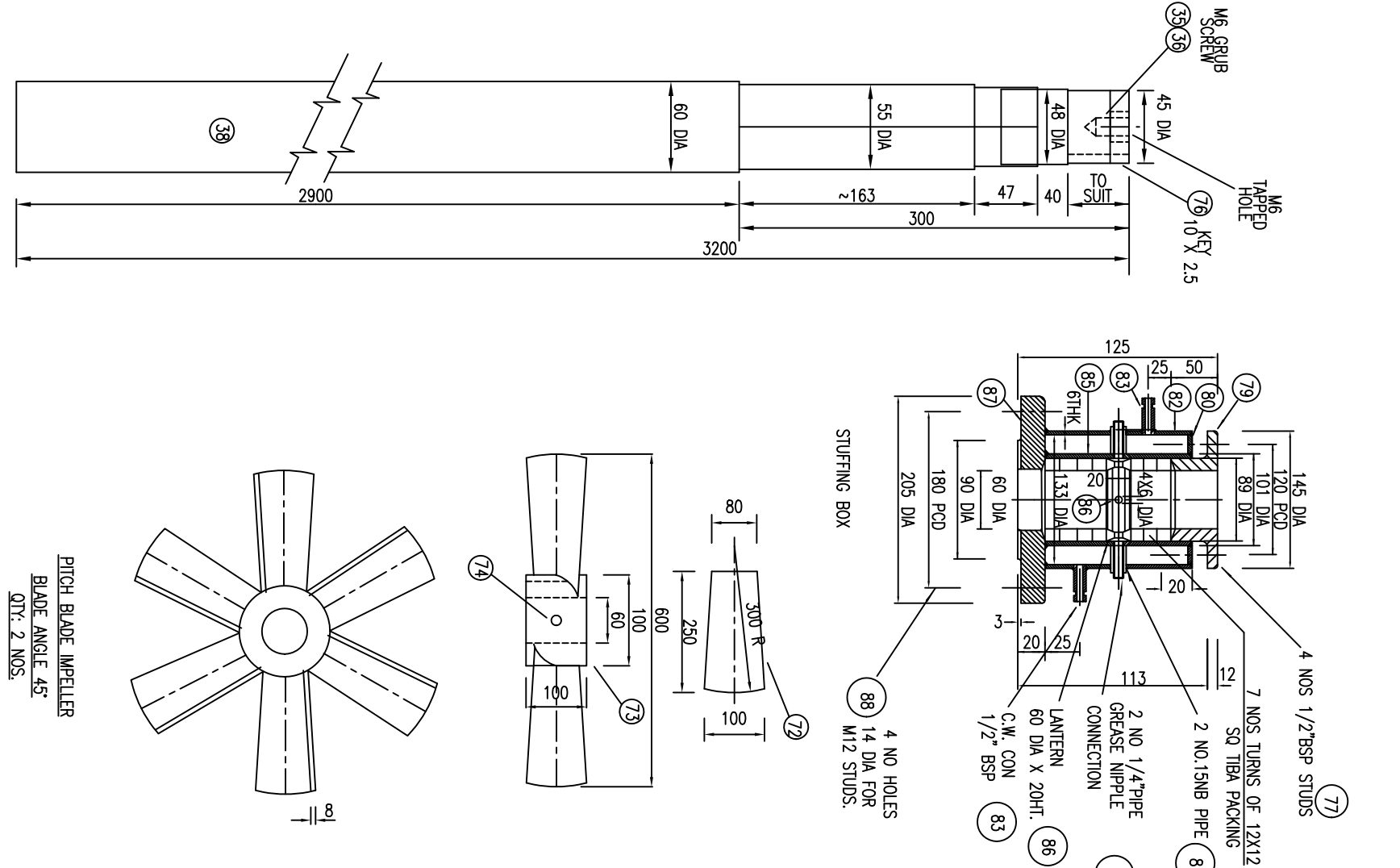
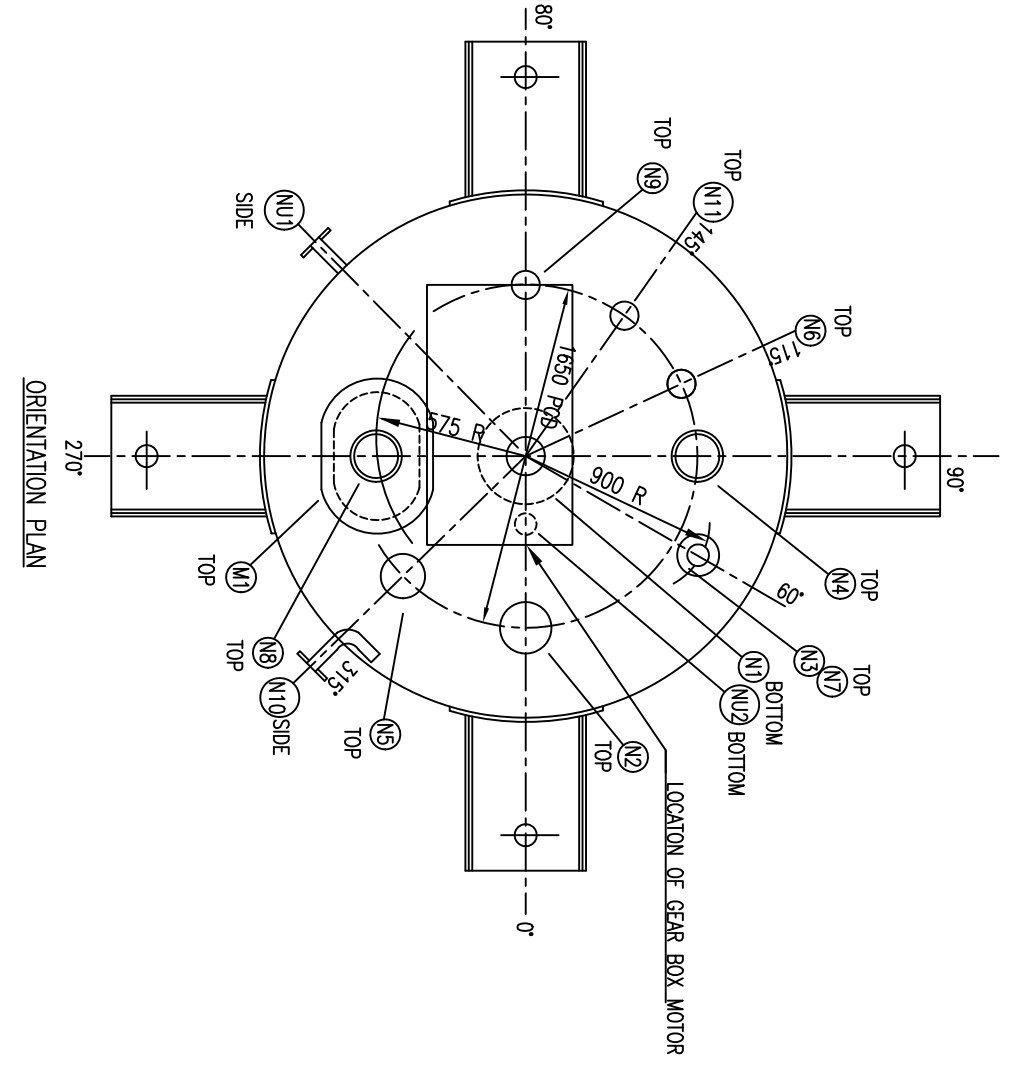


NOZZLE SCHEDULE

NOZZLE MARK	NOMINAL DIAMETER	SERVICE	LOCATION
N1	2 1/2"	OUTLET	BOTTOM
N2	100 / 4"	W/POUR OUTLET	TOP
N3	40 / 1-1/2"	THERMOWELL	TOP
N4	100 / 4"	VIEW GLASS	TOP
N5	80 / 3"	LEVEL INDICATOR	TOP
N6	2 1/2"	INLET	TOP
N7	2 1/2"	THERMOWELL NOZZLE	TOP
N8	100 / 4"	VIEW GLASS	TOP
N9	2 1/2"	SPARE WITH B/F	TOP
N10	2 1/2"	RECIRCULATION	SIDE
N11	2 1/2"	SPARE WITH B/F	TOP
M1	50 X 450 / 14" X 18"	HANDLE	TOP
M11	50 / 2"	HOT OIL OUTLET	SIDE
M12	50 / 2"	HOT OIL INLET	BOTTOM



NO.	DESCRIPTION	SIZE	QTY	NOTE
1	SHELL	2000 Ø X 1500 X 6 THK	2	
2	DRIVE NOZZLE	100 Ø DIA X 6 THK	2	
3	GEAR BOX/SHAFT	100 Ø DIA X 6 THK	4	
4	GEAR BOX/SHAFT	5/8" X 9" LG	4	
5	GEAR BOX/SHAFT	V.400 (4)	2	
6	VIEW GLASS	2 1/2" X 4 1/2" LG	2	
7	W/POUR	100 Ø DIA X 4 1/2" LG	2	
8	BASE PLATE	300 X 180 X 16 THK	8	
9	GASKET PLATE	280 X 200 X 10 THK	8	
10	LEVEL INDICATOR	80 X 8 X 1750 LG	4	
11	BELT PLATES	60 X 8 X 1750 LG	4	
12	NUT / BOLTS	M10 X 50 LG THK	8	
13	WORM GEAR	40 Ø DIA X 10 LG	8	
14	FLANGE	40 Ø DIA X 10 LG	8	
15	FRONT THROATLE	250 X 250 X 10 THK	1	
16	COUPLER	40 Ø DIA X 10 LG	1	
17	COUPLER	40 Ø DIA X 10 LG	1	
18	COUPLER	40 Ø DIA X 10 LG	1	
19	COUPLER	40 Ø DIA X 10 LG	1	
20	COUPLER	40 Ø DIA X 10 LG	1	
21	COUPLER	40 Ø DIA X 10 LG	1	
22	COUPLER	40 Ø DIA X 10 LG	1	
23	COUPLER	40 Ø DIA X 10 LG	1	
24	COUPLER	40 Ø DIA X 10 LG	1	
25	COUPLER	40 Ø DIA X 10 LG	1	
26	COUPLER	40 Ø DIA X 10 LG	1	
27	COUPLER	40 Ø DIA X 10 LG	1	
28	COUPLER	40 Ø DIA X 10 LG	1	
29	COUPLER	40 Ø DIA X 10 LG	1	
30	COUPLER	40 Ø DIA X 10 LG	1	
31	COUPLER	40 Ø DIA X 10 LG	1	
32	COUPLER	40 Ø DIA X 10 LG	1	
33	COUPLER	40 Ø DIA X 10 LG	1	
34	COUPLER	40 Ø DIA X 10 LG	1	
35	COUPLER	40 Ø DIA X 10 LG	1	
36	COUPLER	40 Ø DIA X 10 LG	1	
37	COUPLER	40 Ø DIA X 10 LG	1	
38	COUPLER	40 Ø DIA X 10 LG	1	
39	COUPLER	40 Ø DIA X 10 LG	1	
40	COUPLER	40 Ø DIA X 10 LG	1	
41	COUPLER	40 Ø DIA X 10 LG	1	
42	COUPLER	40 Ø DIA X 10 LG	1	
43	COUPLER	40 Ø DIA X 10 LG	1	
44	COUPLER	40 Ø DIA X 10 LG	1	
45	COUPLER	40 Ø DIA X 10 LG	1	
46	COUPLER	40 Ø DIA X 10 LG	1	
47	COUPLER	40 Ø DIA X 10 LG	1	
48	COUPLER	40 Ø DIA X 10 LG	1	
49	COUPLER	40 Ø DIA X 10 LG	1	
50	COUPLER	40 Ø DIA X 10 LG	1	

GENERAL'S REACTION
MOC: CARBON STEEL